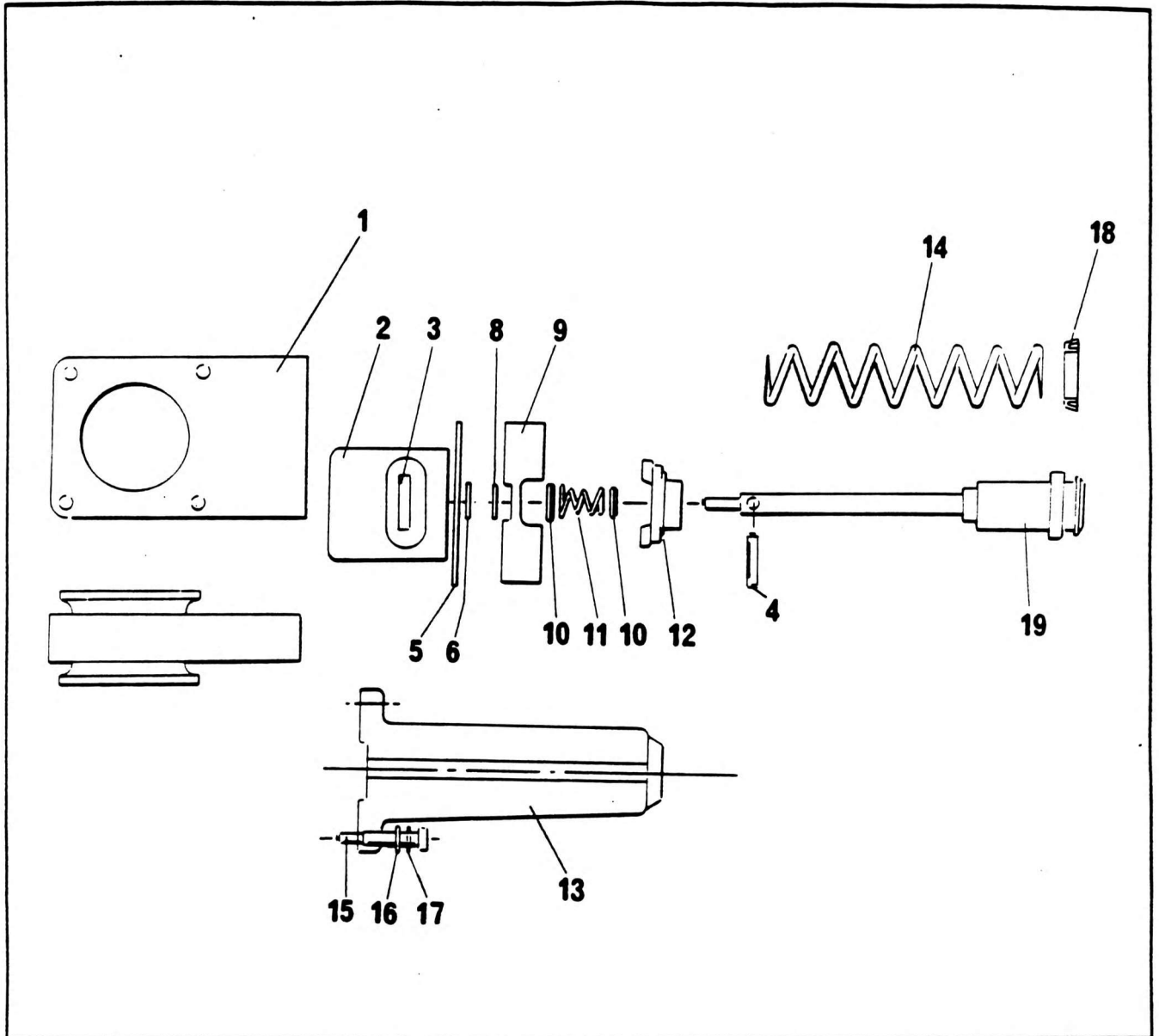


EXHAUST BRAKE



NO.	PART NO.	QTY.	DESCRIPTION	NO.	PART NO.	QTY.	DESCRIPTION
-	7-188-990016	1	Complete Assembly	15@	9-188-100624	2	Bolt
*	9-188-100628	1	Service Kit	16@	7066519	2	Plain Washer
@	9-188-100629	1	Service Kit	17*@	7067204	2	Spring Washer
1	N/S	1	Main Body	18*@	9-188-100625	1	Main Seal
2	9-188-100612	1	Slide	19@	9-188-100626	1	Seal Housing Shaft
3 @	9-188-100613	1	Pressure Plate	20%	9-188-100627	2	Red Washer
4*@	9-188-100614	1	Shaft Pin				
5*@	9-188-100615	1	Gasket				
6	9-188-100616	1	Steel Washer				
8	9-188-100617	1	Shaft Seal				
9	9-188-100618	1	End Plate				
10*@	9-188-100619	2	Fibre Washer				
11*@	9-188-100620	1	Waisted Spring				
13	9-188-100621	1	Barrel Insert				
13	9-188-100622	1	Barrel				
14@	6-188-100623	1	Main Spring				

N/S - Not Serviced

% Not Illustrated